

DISPLAYS2GO

Innovative, fashionable and intelligent LED Poster

Slimmer & Smarter & Simpler

CRIUS

80"

by  OSTECH

P2.5mm



CRIUS 2.5-80" – USER MANUAL

2019.11

Contents

1. Preface

1.1 Introduction

1.2 Safety Notice

1.3 Certification

2. Product Introduction

2.1 Overview

2.2 Features

2.3 Specifications

3. Packing List

3.1 Standard bill of material

3.2 Component

3.3 Installation Components

4. Product Composition & I/O Interface Instruction

4.1 Part Names

4.2 I/O Interface

5. Installation Instructions

5.1 Floor standing

5.2 Wall-mounting

6. System Connection Instructions

6.1 System Connection Diagram of Single CRIUS

6.2 Startup instructions

7. Content Management & Publish

7.1 Publish via PC

7.2 Publish via Phone APP

7.3 Publish via USB

1. Preface

1.1 Introduction

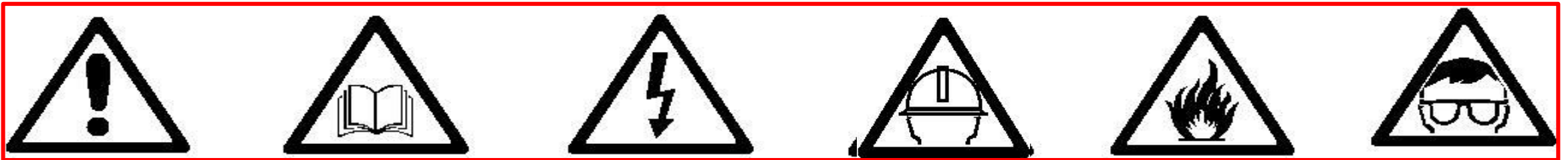
1) This manual is for CRIUS 2.5-80" display. For better application, this manual systematically introduces the product make up, interface, specification, also the installation, wiring and content publish function.

2) Software instructions are based on built-in Nova T6 player and not applicable to other players.

3) Version 11/19.

1.2 Safety Notice

Warning! Please read below safety instructions before installation, power-on, operation and testing



Warning!	Warning!	Warning!	Warning!	Warning!	Warning!
Safety risk may result in equipment damage or security issues.	Please read this manual before operation.	Incorrect voltage may result in equipment damage.	Please pay attention to protective measures to prevent any danger	Inflammable	Harmful to eyes

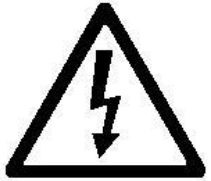


Please read below safety instructions before installation, power-on, operation and testing;

Make sure to follow the safety instructions. For any questions, please contact us for assistance.

- Due to flame, electric shock, fall down, this product may cause injury to person, even death;
- This product is not suitable for swimming pools, sauna, bathroom and other humid environments;
- This product is non-waterproof, or cannot be used in complete outdoor environments;
- Please do not block the ventilation holes during operation;
- Please take moisture-proof measures when packing and stock;
- Please do not drop, strike, scratch, warp or shake LED display or external equipment;
- Please make sure the front protection panel out of scratch with hard objects;
- Please make sure the product is operated under professional staff due to inside strong current;
- please make sure the ground is flat and even before placing the product;





- Please make sure this product earthed correctly to ensure safety and prevent electrical shock;
- Please cut off in lightning weather or make sure taking some lightning protection measures. Please cut off if no long no use;
- Please cut off display power under situations of unused, disassemble, installation, maintenance;
- Please make sure the AC power meets local building & electrical standards and equipped with overload and earth faulty protection;
- Please make sure and check electricity, cable and all connected equipments meet current requirements before using this product;
- make sure power cable no broken, aging, humidity. Please replace with a new one if any over-heat situation happens;
- Please make sure the product is operated by professional personnel due to inside strong current; for any questions, please consult with professional personnel;
- Please take eye-protection measures and do not watch the screen directly when screen is at 100% brightness;
- Please do not use any optical devices with concentrated function to watch the screen in case of eye burn;





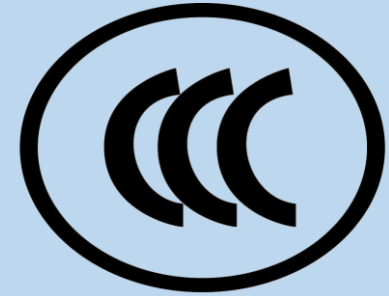
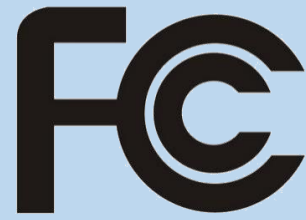
- Please make sure screen, processor and power with good heat ventilation, at least 0.1m distance with other stuff;
- Please do not stick any objects on screen;
- Please do not refit the product and add new parts;
- Please do not exposure the product to sun, make sure the environment is less than 45 degrees;
- Please wear a helmet to prevent body injury;
- Please make sure any fixed and connected structures meet safety standards;
- Please hold the screen firmly when joint units to prevent drop or tip-over;
- Please make sure the ground is flat and even before placing the product.



Warning: Manufacturer is not responsible for any incorrect, improper, irresponsible or unsafe operations.

1.3 Certification

The product has passed CCC, CE, ETL and FCC certification to meet international standards.



2. Product Introduction

2.1 Overview

CRIUS embodies features including various installation solutions, easy operation, multiple communication modes, high brightness, low power consumption and ultra-thin body to ensure stable and high-quality display effect even in bright-light venues. It is a new product that overturns traditional LCD ad player (high cost, low-quality picture, uneven brightness, heavy body and high energy consumption), which can be widely installed in hotels, restaurants, shopping malls, banks, government agencies, hospitals and so on.



2.2 Features

CRIUS 2.5-80": Pixel Pitch 2.571mm, 80 inches

Features:

- Super slim in width and light in weight.
- 39mm thickness, weight is only 35kg, easy to install and move.
- Multiple installation modes, floor stand, wall-mounting.
- Plug-in display, simple operation.
- USB/WIFI/HDMI/ CAT5E cable connection, mobile phone & PC quick management & publish.
- LAN integrated publish & remote publish via internet.
- Calibration data is saved in modules, recover factory settings in 5s.

2.3 Specifications

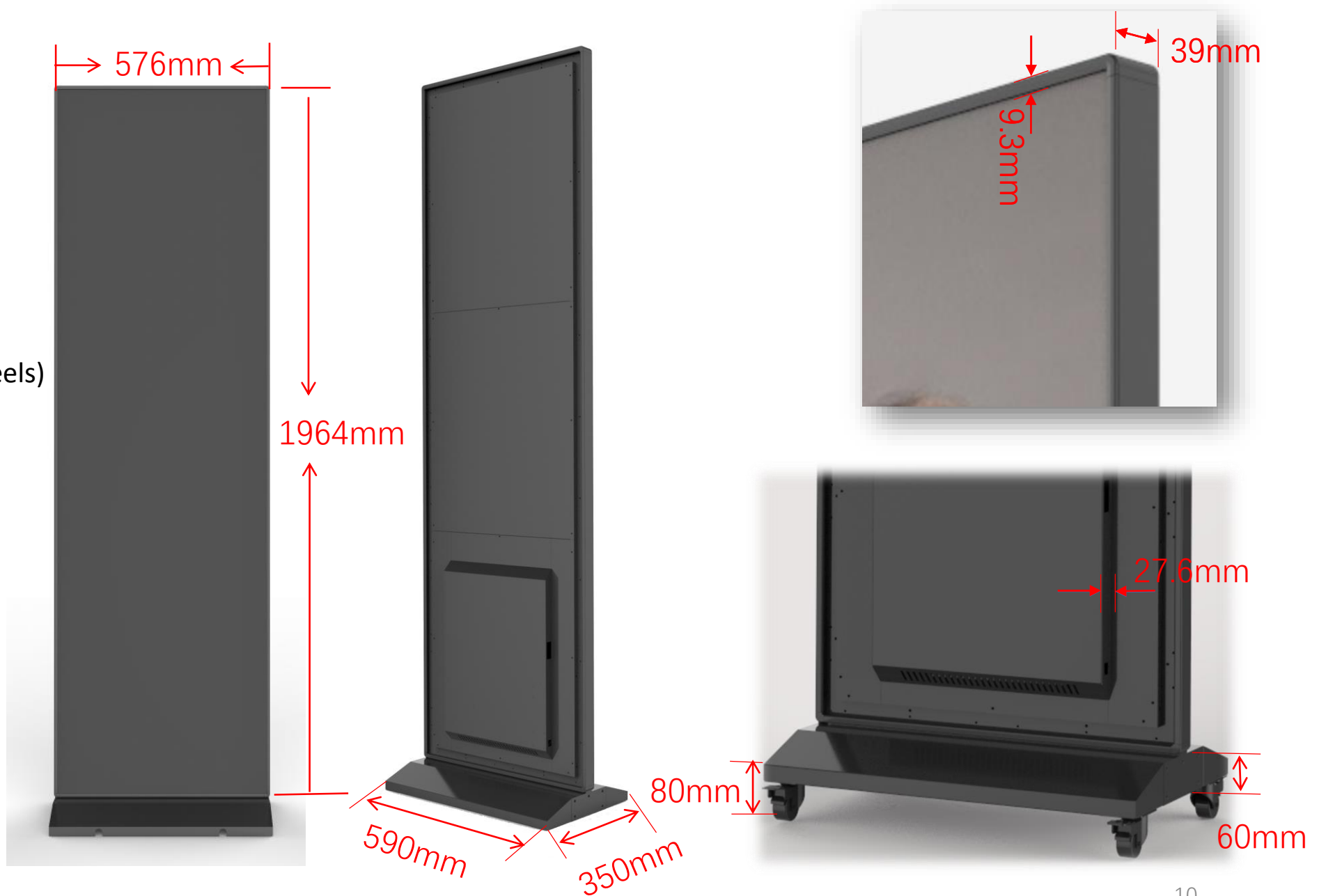
1) Display

Overall Dimensions:

CRIUS(W×H×D):

590×2024×350mm

590×2104×350mm(including wheels)



2.3 Specifications

2) Main parameters

	Model	CRIUS 2.5-80"
Optical Parameters	Pixel Pitch (mm)	2.571
	LED Type	SMD
	Viewing Angle (H/V)	160° / 160°
	Brightness(cd/m ² .)	>800
	Refresh Rate(Hz)	> 1920
	Optimized Viewing Distance (m)	3~30
Electrical Parameters	Average Power Consumption (W/unit)	210
	Max. Power Consumption (W/unit)	540
	Input Voltage	AC110V / AC220V±10%50/60Hz
	Input Interface	Ethernet / USB / WIFI
Structure Parameters	Module Size in Pixel (W×H)	112x84
	Module Size in mm (W×H)	288x216
	Display Size in Pixel (W×H)	224x756
	Display Size in mm (W×H×D)	576x1944x39
	Overall Dimension in mm (W×H×D)	596×1964x39
	Screen Ratio (W: H)	9:32
	Weight (kg/unit)	35
	IP Rating	IP 40
Operation Parameters	Operating Temperature/ Humidity (°C/RH)	-10°C~40°C/10~90RH%
	Certification	CCC / CE / ETL / FCC

3. Packing list

3.1 Standard bill of material



CRIUS xx-80" Display×1



Power cable×1
Europe/United States



Antenna×2



USB×1



Towel ×1



Glove×1

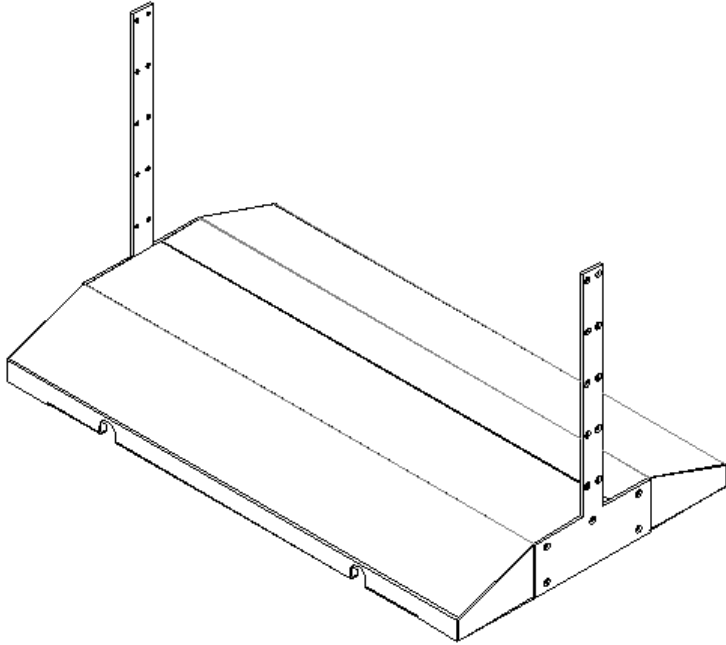


Screwdriver ×1

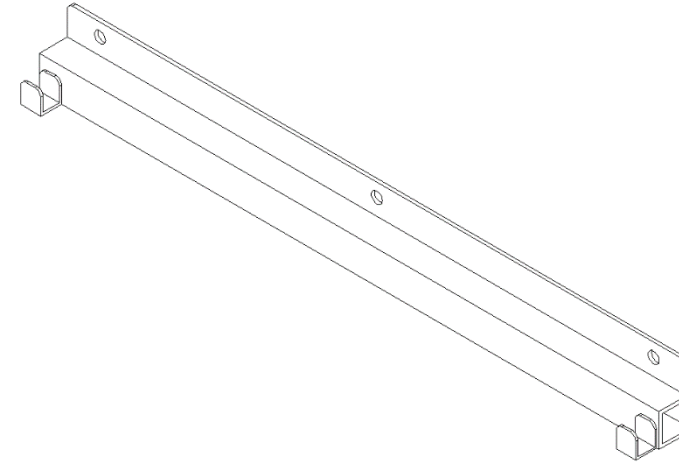


Wrench ×1

3.2 Component

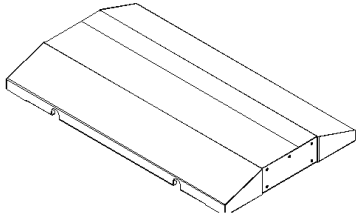

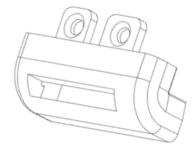
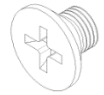


Floor Standing Base

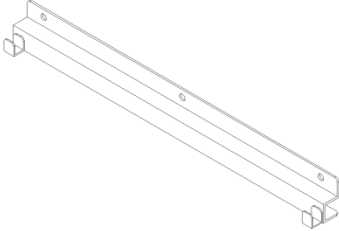



Wall Mounting Bracket
(optional)

3.3 Installation Components

Components	#	Model	Physical reference	Quantity
FLOOR STANDING	1	CRIUS 2.5-80" base		1
	2	CRIUS 2.5-80" support pole		2
	3	Corner bent plate with rectangle hole (for assembling the base)		2
	4	M4x6 screw (for fixing the base and support pole)		20

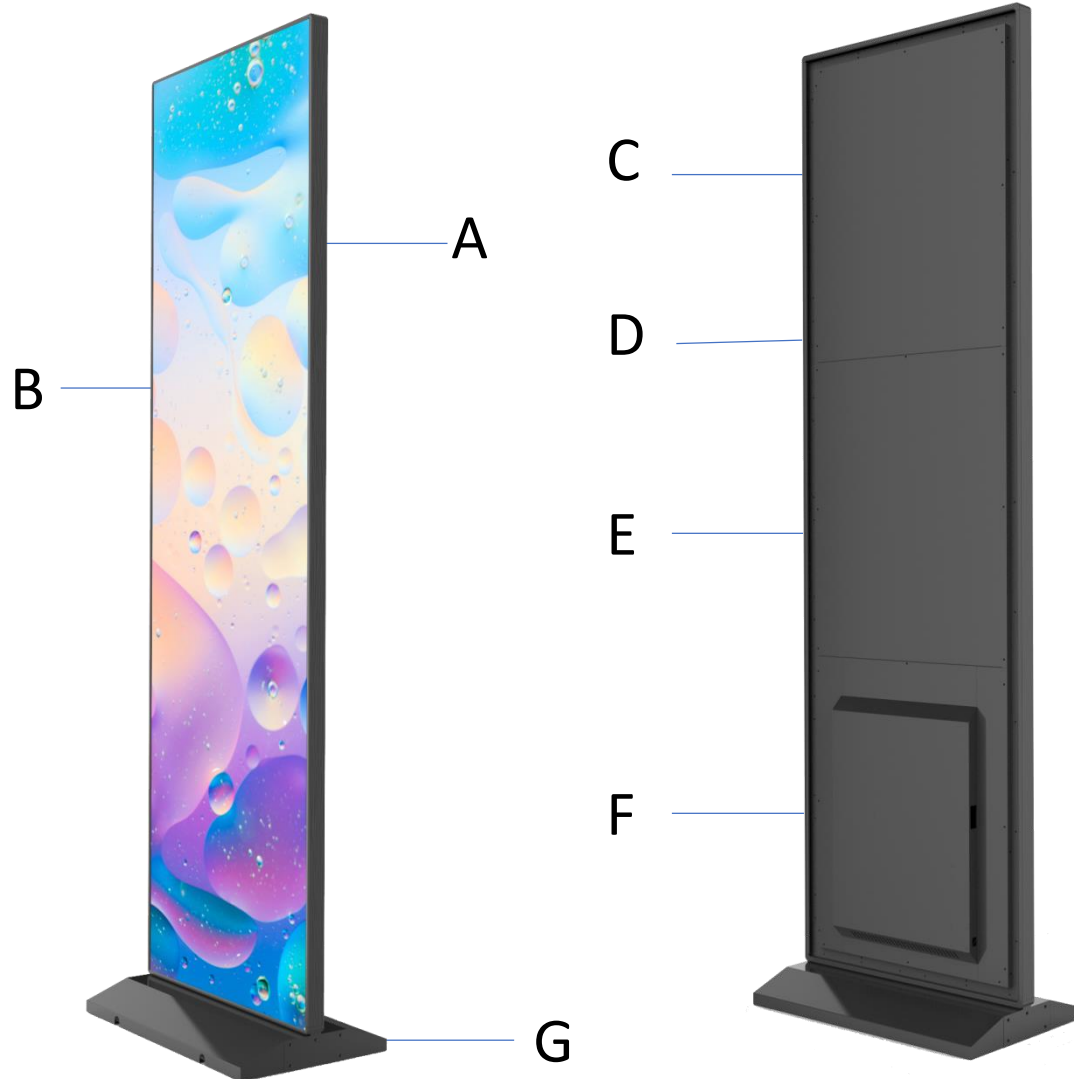
3.3 Installation Components

Components	#	Model	Physical reference	Quantity
WALL MOUNTING (optional)	1	CRIUS 2.5-80" wall-mounting rail		1
	2	M8 expansion bolt (Not included, available at your local hardware store)		3

Note: M8 Expansion anchors are not included. You can find the right size in the local hardware stores.

4. Product Composition & I/O Interface Instruction

4.1 Part Names



A. Aluminum alloy frame :

Composed of 4 pcs of internal frame (connected to the whole aluminum plate) and 4 pcs of external frame (connected with internal frame by magnet).

B. Acrylic glass cover:

On top of the modules. Each unit is composed of 18 pcs of 288mmx216mm module.

C. Back cover (upper part): covering receiving card, cables, etc.

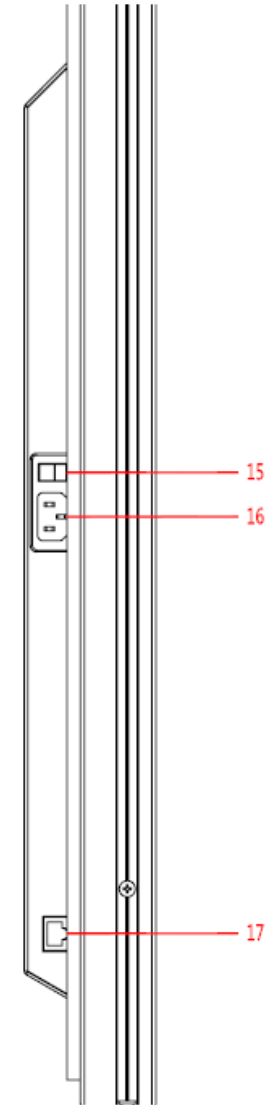
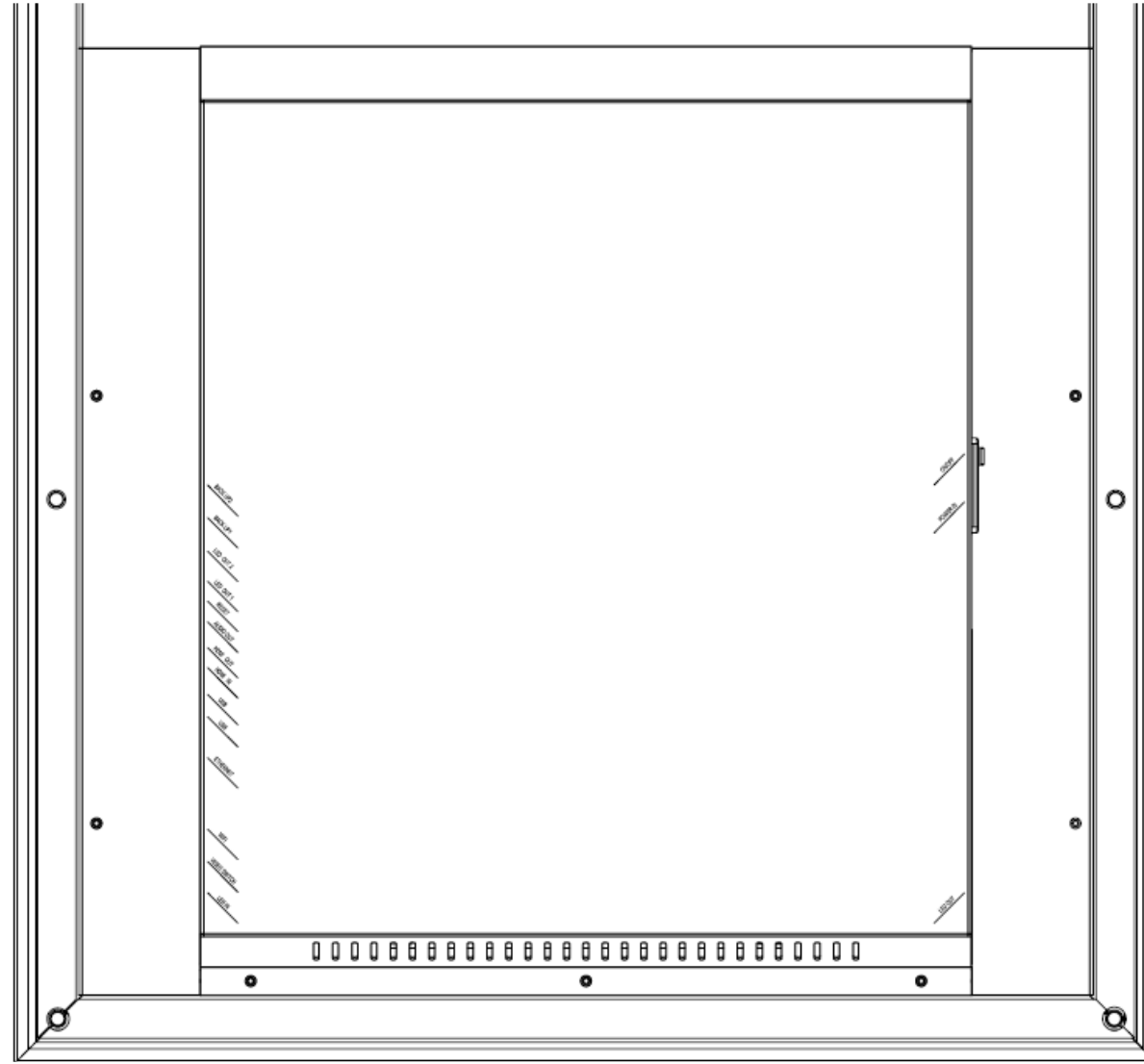
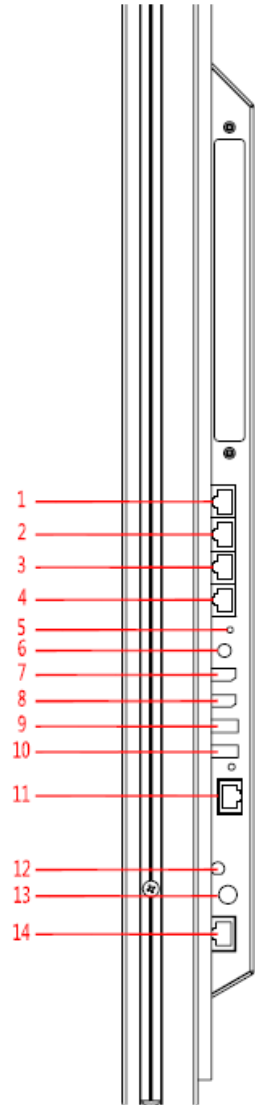
D. Wall-mounting component: fixed in left and right aluminum alloy frame.

E. Back cover (middle part): covering receiving card, cables, etc.

F. Back cover (bottom part): covering power supply, controller, etc.

G. Base: fixed to internal frames.

4.2 I/O Interface



4.2 I/O Interface

Interface instructions:

1) BACK UP2: Backup for Ethernet port 2

2) BACK UP1: Backup for Ethernet port 1

3) LED OUT2: Ethernet port 2

4) LED OUT1: Ethernet port 1 connected with port 14 externally

5) RESET: Recover factory settings by pressing the button for 5 seconds.

6) AUDIO OUT: Audio interface

7) HDMI OUT: HDMI 1.4 output

8) HDMI IN: HDMI 1.4 input

9) USB: USB2.0 port 2

10) USB: USB2.0 port 1

11) ETHERNET: Gigabit Ethernet port

12) WIFI: Wifi antenna

13) VIDEO SWITCH: Dual-mode switching button (synchronous / asynchronous)

14) LED IN: Connected with port 4 externally, cascaded receiving card internally

15) ON/OFF: Power On/Power Off

16) POWER IN: Power input, AC110/240V

17) LED OUT: External cascaded port

5. Installation Instructions

5.1 Floor standing



1) Installation Preparation



Screwdriver



Glove

NOTE:

1. Assemble the product on a clean and flat platform. Cover the assembling area with soft cloth to prevent any damage to the unit.
2. Wear gloves when assembling to keep clean.

5.1 Floor stand

2) Installation steps

- ① Take all parts out of packing.
- ② Place the display panel with front face up on the operation platform (2 persons).
- ③ Remove the left and right external frames, bottom frame, left and right corner bent plates in order. Please refer to fig 5.1.
- ④ Assemble the left and right corner bent plate with rectangle hole, bottom frame to the display. Please refer to fig 5.2.
- ⑤ Fix the right and left support pole to the base by M4x6 screws. Please refer to fig 5.3.

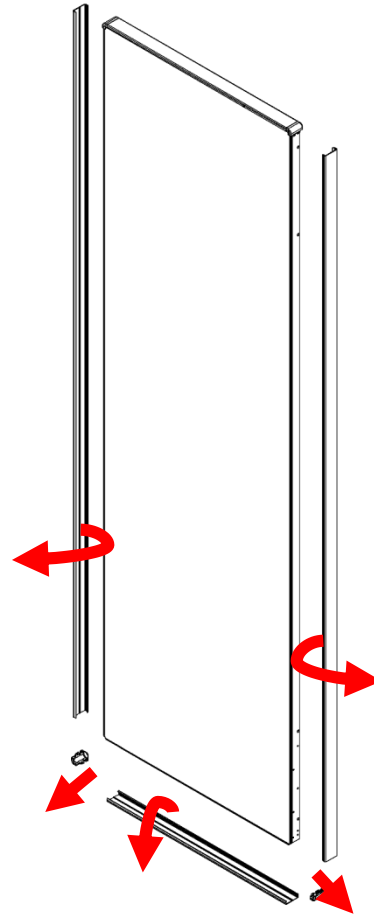


fig 5.1

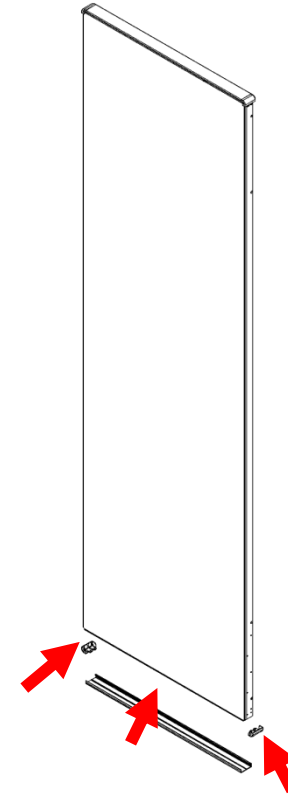


fig 5.2

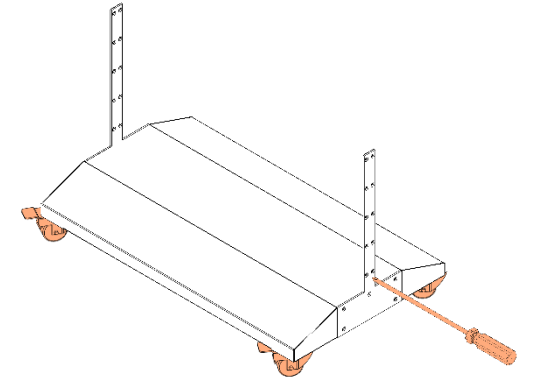


fig 5.3

5.1 Floor stand

2) Installation steps

- ⑥ Insert the display to the base vertically and fix it to the support poles by screws. Please refer to fig 5.4 & fig 5.5.
- ⑦ Replace the left and right external frames to the display, which are fixed by magnet. Please refer to fig 5.6.
- ⑧ The assembly is finished.

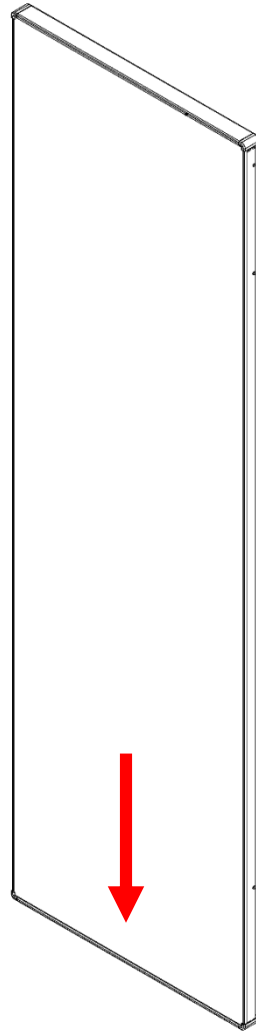


fig 5.4

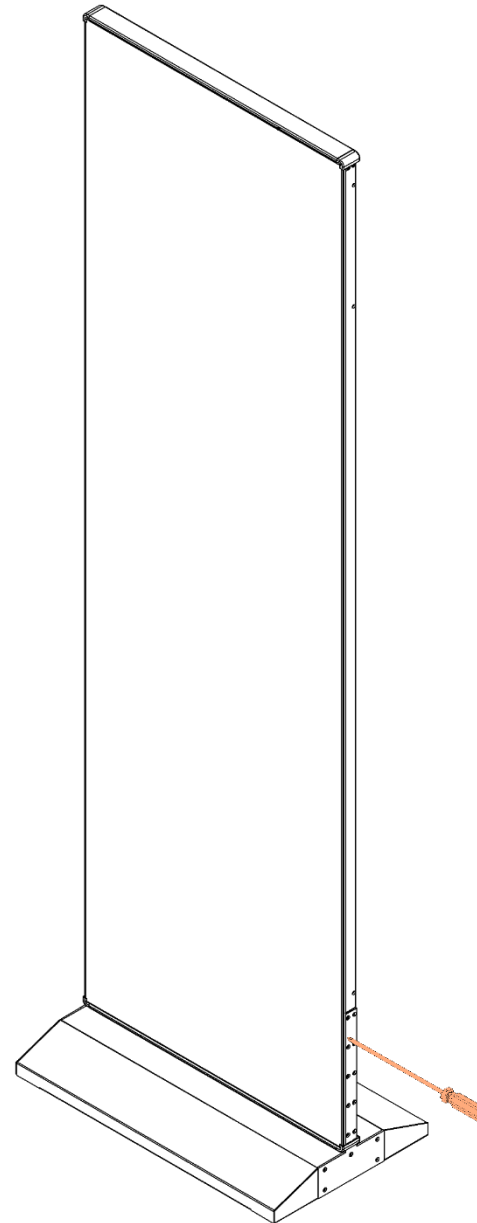


fig 5.5

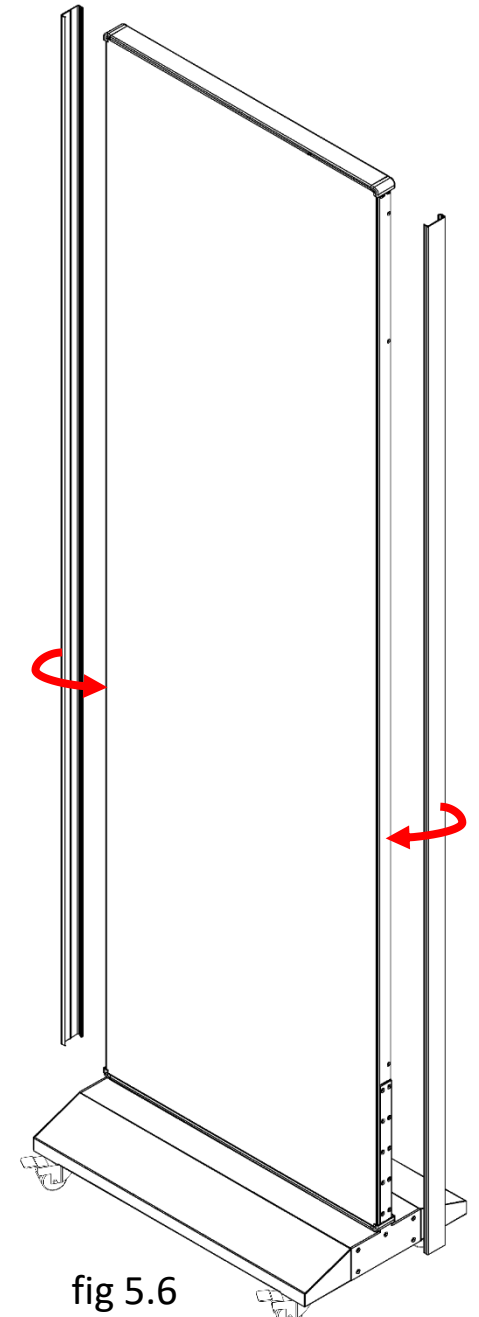
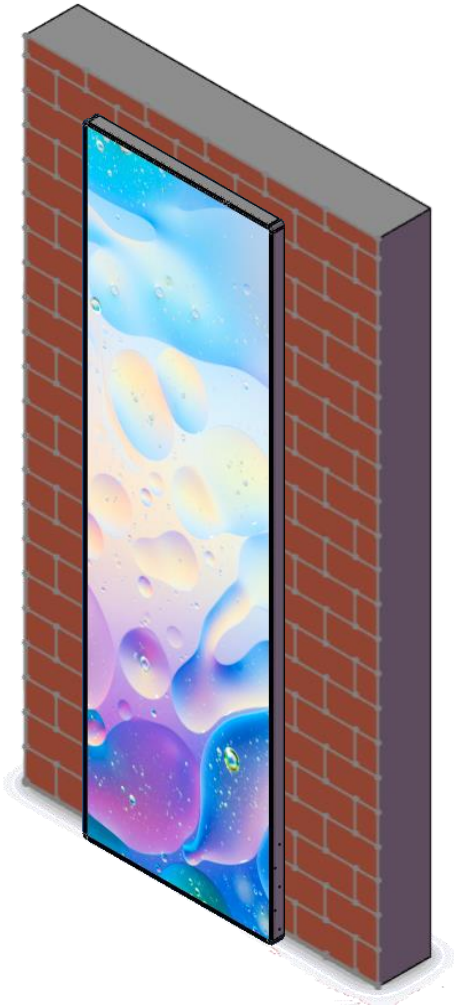


fig 5.6

5. Installation Instructions

5.2 Wall-mounting



Power Drill
(not included)



Wrench



Glove



Tape Measure
(not included)

Notice:

1. Please operate on a clean and flat platform. If directly on ground, please protect the unit from any damage.
3. Please operate with gloves to keep clean.

2) Installation steps:

- ① Drill 3 $\varnothing 10$ holes on the wall and leave 252mm distance between holes. Please refer to fig 5.7.
- ② Insert M8 expansion bolt into the holes and leave no more than 30mm outside. Please refer to fig 5.8.
- ③ Fix the wall-mounting rail to the hole by M8 nuts. Please refer to fig 5.9.
- ④ Hang the CRIUS body to the wall mounting rail via the left and right components on the back of CRIUS body. Please refer to fig 5.10.

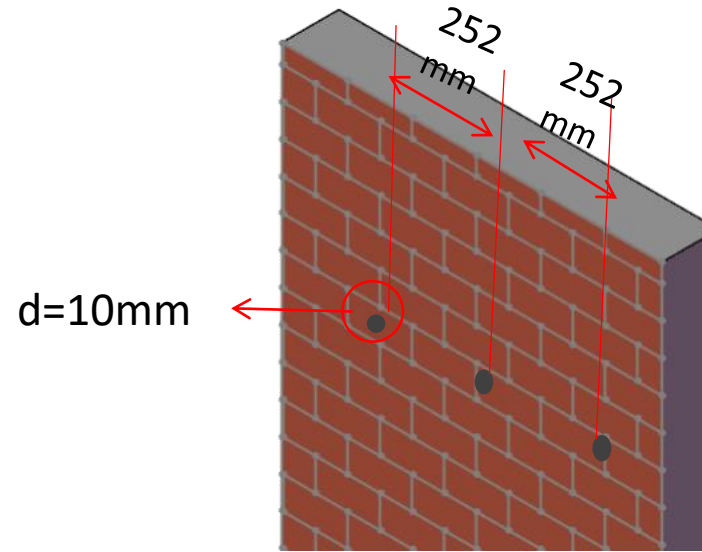


fig 5.7

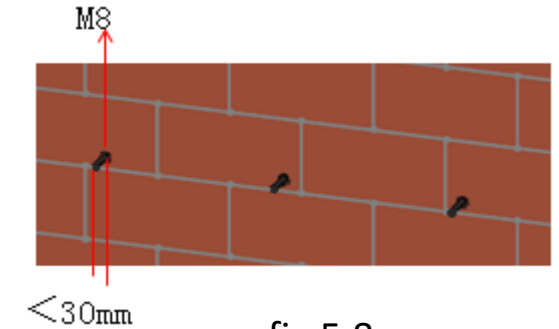


fig 5.8

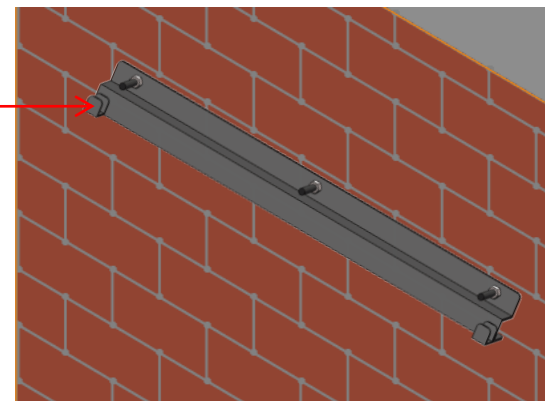
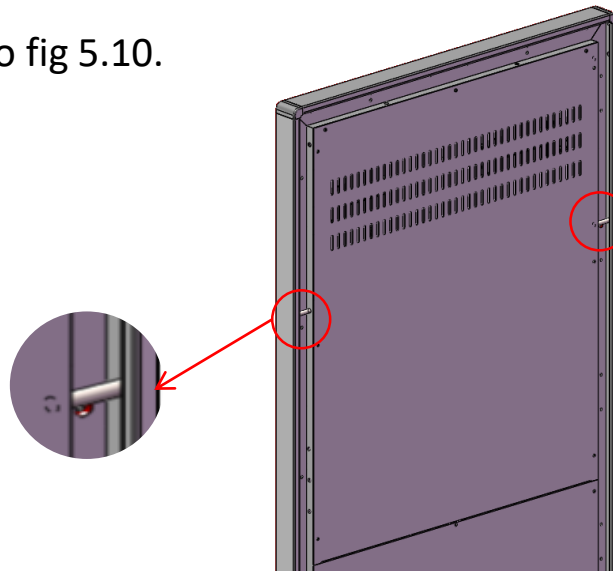


fig 5.10

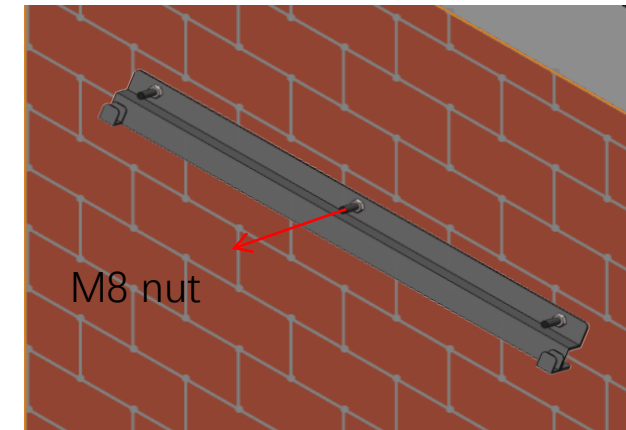
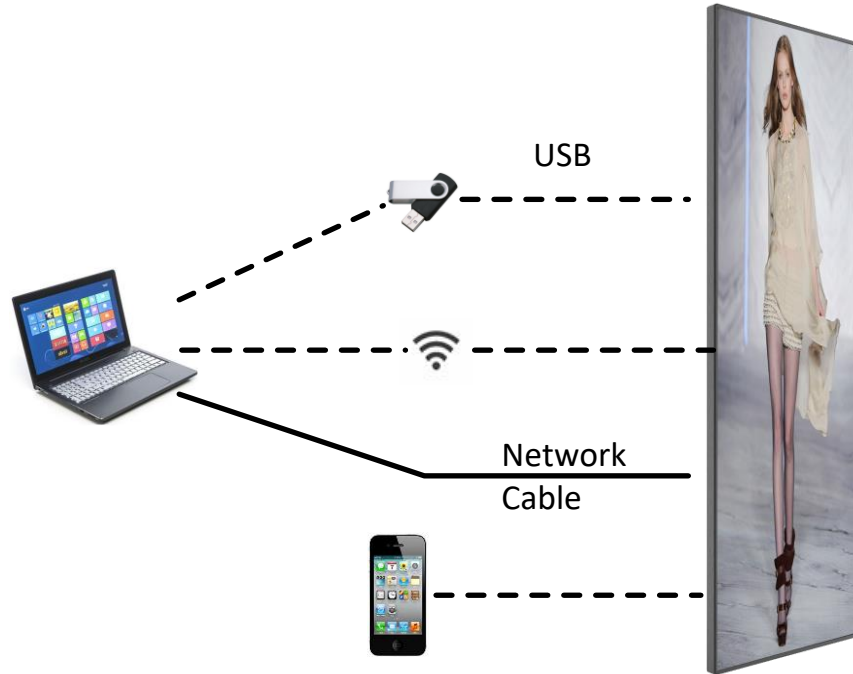


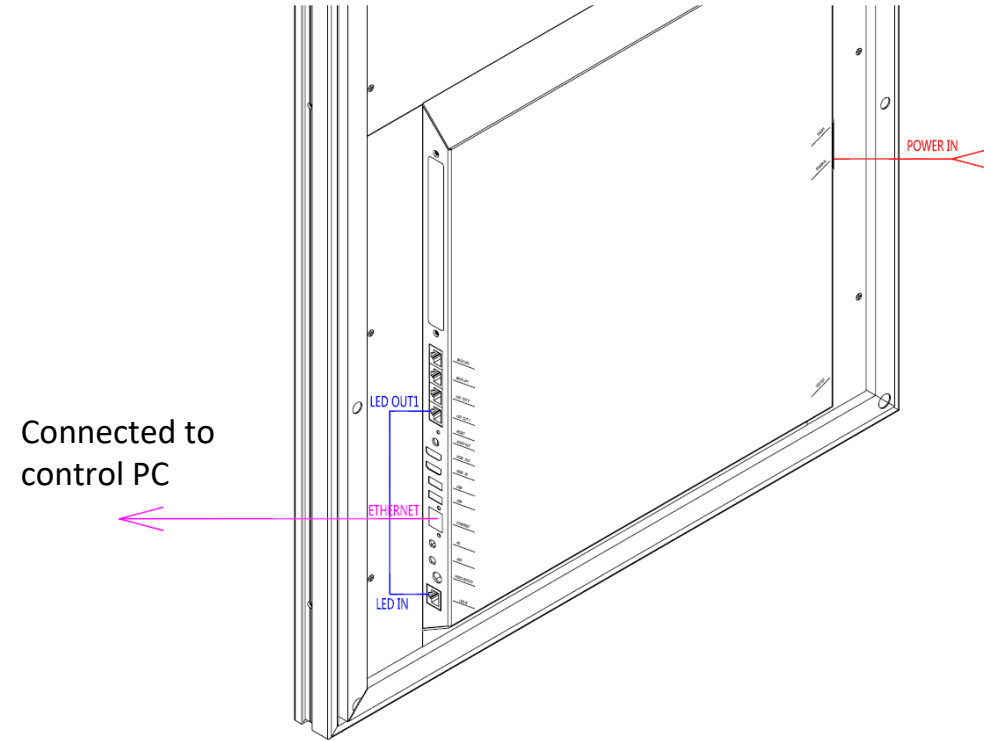
fig 5.9

6. System Connection Instructions

6.1 System Connection Diagram of Single CRIUS



Control system diagram of single CRIUS



External wiring diagram of single CRIUS

fig 6.1

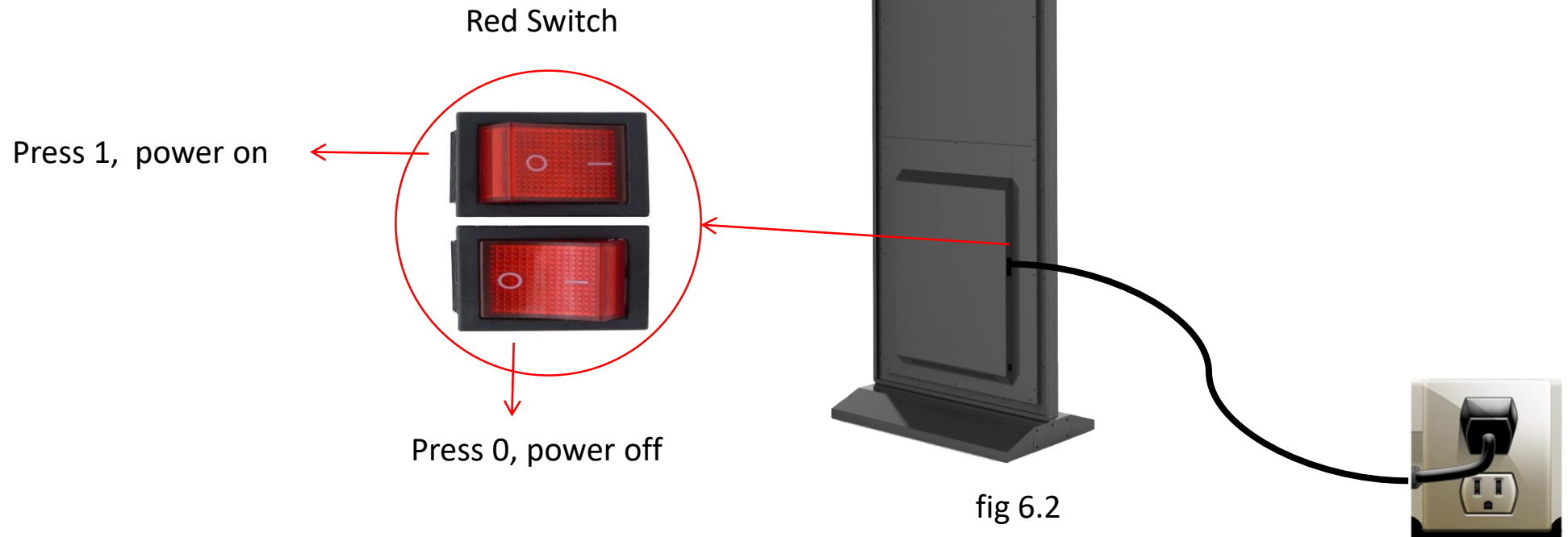
Fig 6.1 is the system connection diagram with built-in player.

Playlist can be transfer via USB, cable, APP in PC or smart phone, then loop playback.

6.2 Startup Instructions

- ① After assembly, connect power cable to power on CRIUS. See fig 6.2.
- ② Press “1” on power switch, and CRIUS will be light up after 40s.
- ③ Load in the playlist.

Notes: please refer to the Section 7 for how to load in a playlist.



We strongly recommend using a surge protector, or a power strip with internal circuit breaker to prevent damages to the poster.

7. Content Management & Publish

7.1 Publish via PC

1) Software installation

a. Plug in the USB provided by seller to PC and open it, find the software [ViPlex Express V1.1.0 CTM1.0.2 Setup] under the folder [Project # (for example C18I-067-XI-CD)] → [Part 1 Software] → [T6] → [PC Terminal], see below fig 7.1, and install it.

b. Find shortcut of the software on desk as fig 7.2.

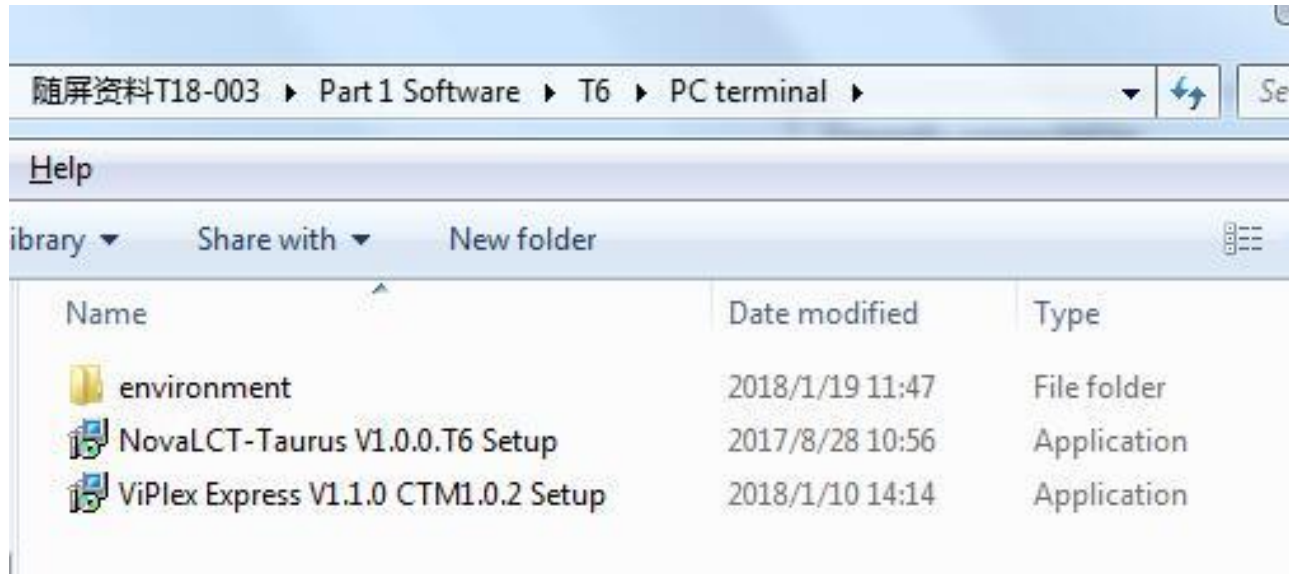


fig 7.1



fig 7.2

7.1 Publish via PC

2) Internet connection

Connect PC to CRIUS via below ways:

- WIFI of built-in player;
- Router in LAN;
- CAT5E;

Note: in this instruction, the connection is via WIFI of built-in player.

Open WLAN in your PC, connect to the CRIUS's WIFI, please refer to fig 7.3.

- ID: Apxxxxxxxx (e.g. AP10000033)
- Password: 12345678

Note: ID of CRIUS is labeled on the power box, please refer to fig 7.4.



fig 7.3



fig 7.4

7.1 Publish via PC

3) Settings on the play software [ViPlex Express]

Open ViPlex Express, locate the right CRIUS, click [Connect] and type in the username and password, then click [Ok] to do settings, please refer to fig 7.5.

Note: Initial username: admin;

Initial password: 123456

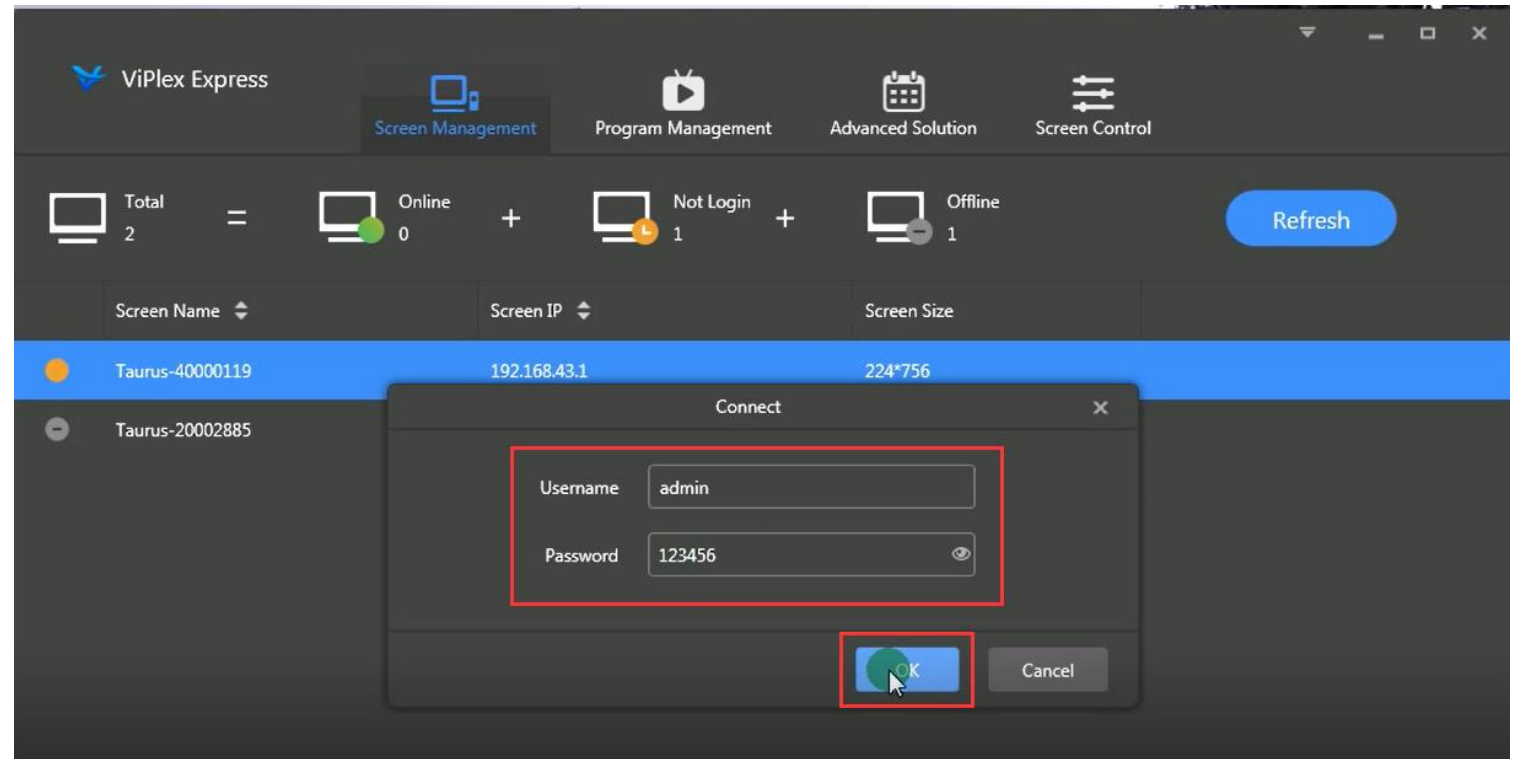


fig 7.5

7.1 Publish via PC

4) Creation of a new playlist

- a. Click [Program Management] → [New]
- b. Name the new playlist in [Solution Name]
- c. Type in the resolution in [Display Width & Display Height]
- d. Click [ok] to edit the playlist, please refer to fig 7.6.

Note: Resolution of CRIUS 2.5-80" is 224x756p.

Resolution of CRIUS 1.8-80" is 304x1026p.

Resolution can be adjusted according to model and quantity.

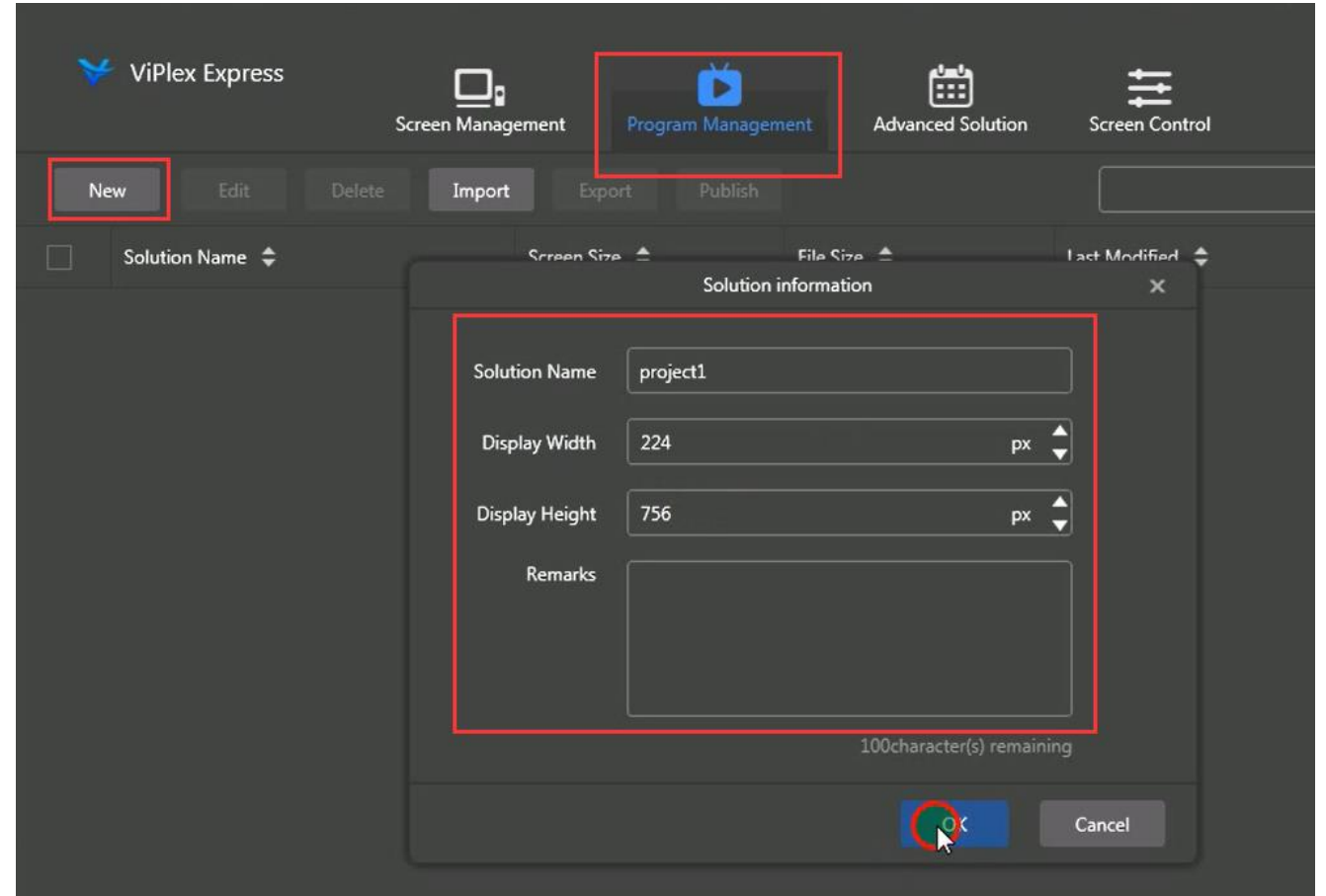


fig 7.6


7.1 Publish via PC

4) Creation of a new playlist

e. Click [+] to add page according to the quantity of content.

f. Select text, image, video, gif, clock, weather, and container for each page. Please refer to fig 7.7.

Note: the resolution of image should fit CRIUS.

g. Once finish, please click  to save the playlist. Please refer to fig 7.8

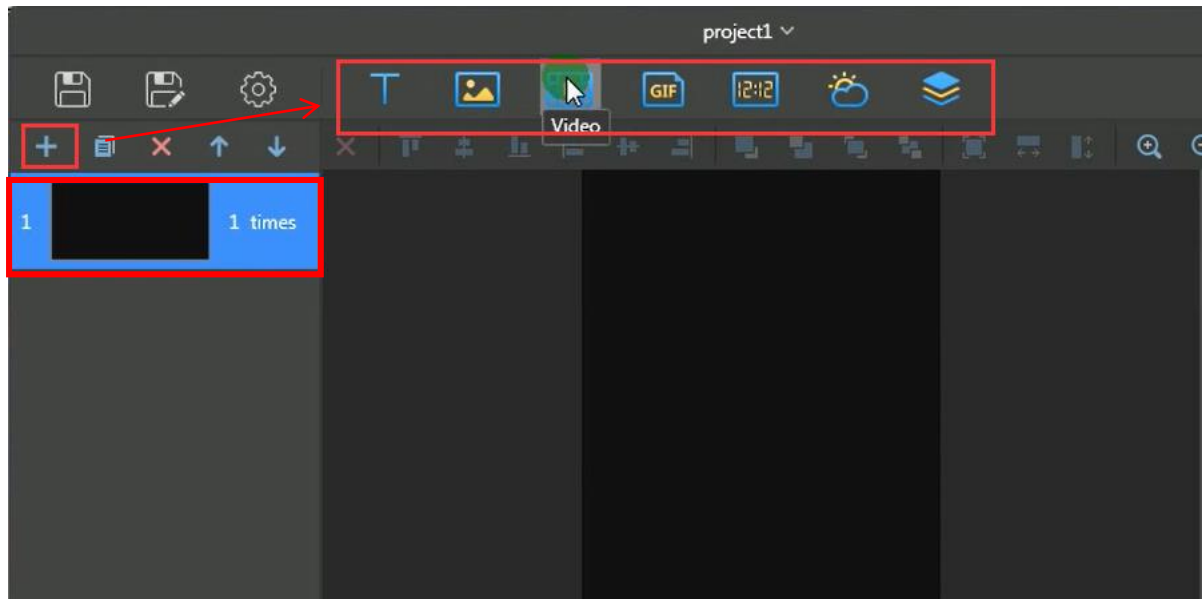


fig 7.7

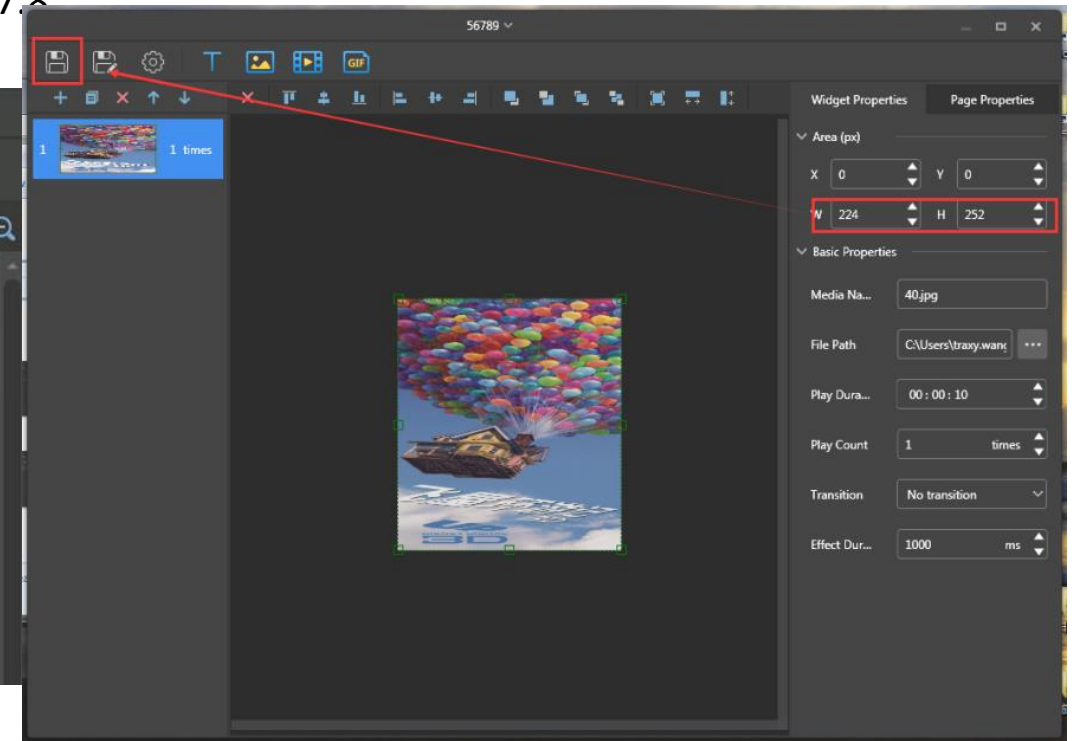



fig 7.8

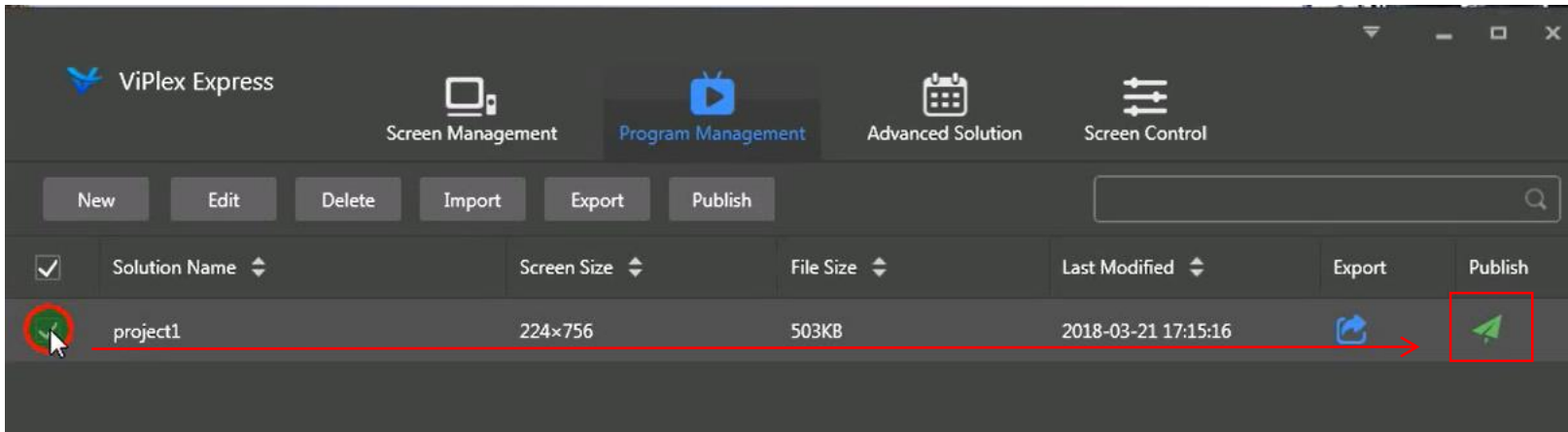
7.1 Publish via PC

4) Creation of a new playlist

h. Enter the interface shown in fig 7.9, tick the new playlist created in last step and click  to publish.

i. Select the right CRIUS, click [Publish] shown in fig 7.10 to upload the playlist.

j. Click [Publish] shown in fig 7.11 to play this playlist.



Notes: Please refer to affix [ViPlex Express LAN-Based Screen Management Software User Guide-V1.2.0.](#) for more detailed operations.

fig 7.9

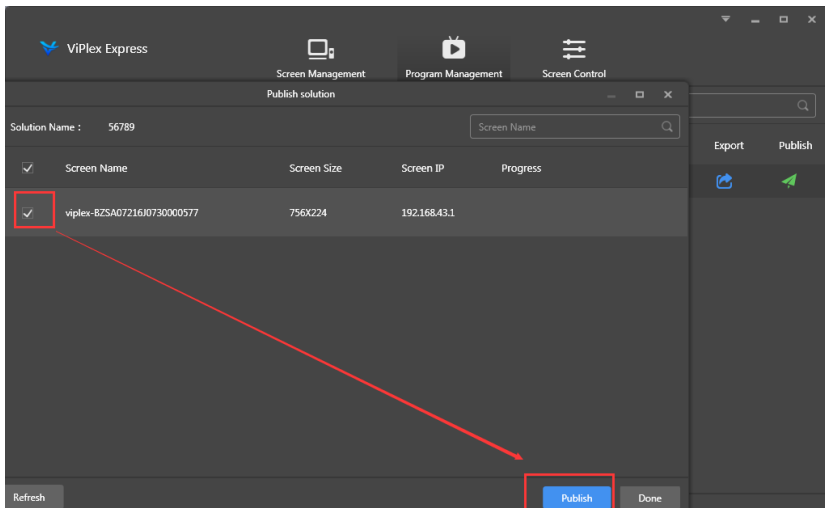


fig7.10

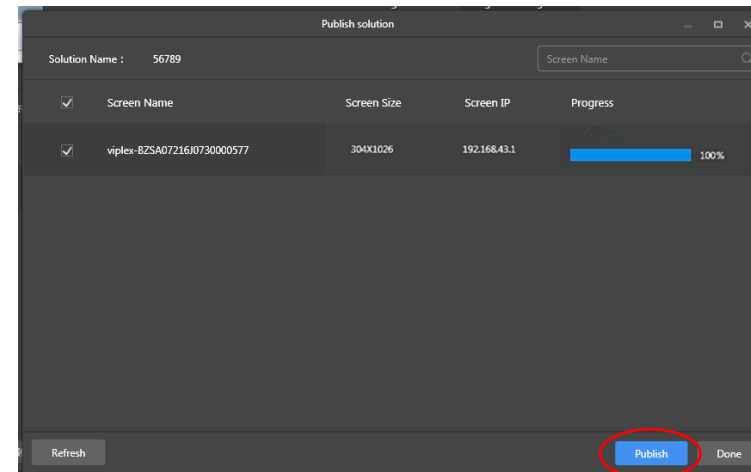


fig 7.11

7.2 Publish via Phone APP

1) Installation of phone APP

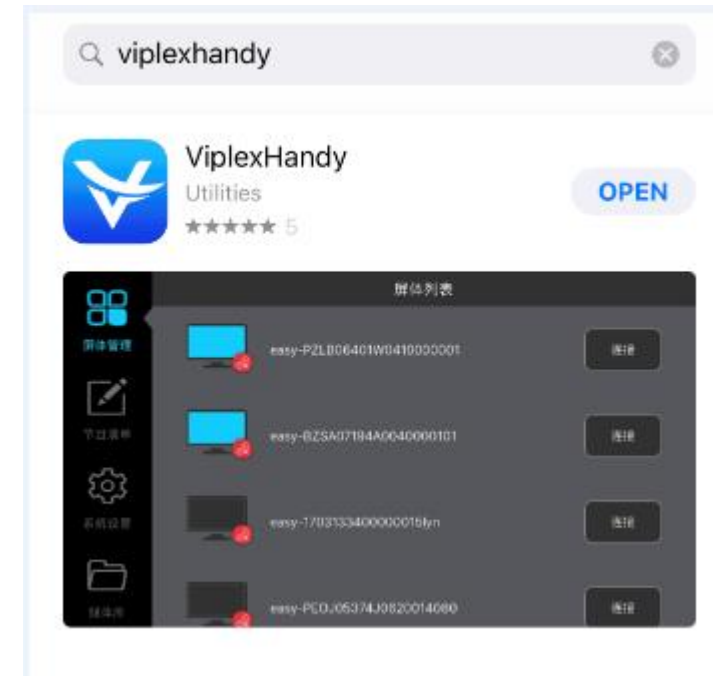
a) Android system:

Scan below QR code, download Viplex Handy and install.



b) IOS system:

Search Viplex Handy in App Store , download and install.



7.2 Publish via Phone APP

2) Internet connection

Open WLAN in the phone, connect to CRIUS's WIFI, please refer to fig 7.12.

ID:Apxxxxxxxx (ex:AP10000033)

Password:12345678

Note: ID of CRIUS is labeled on the power box, please refer to fig 7.13.

Open ViPlex Handy, locate the right CRIUS, click [Connect] and type in the username and password, then click [Ok] to do settings, please refer to fig 7.14.

Note: Initial username: admin;

Initial password: 123456

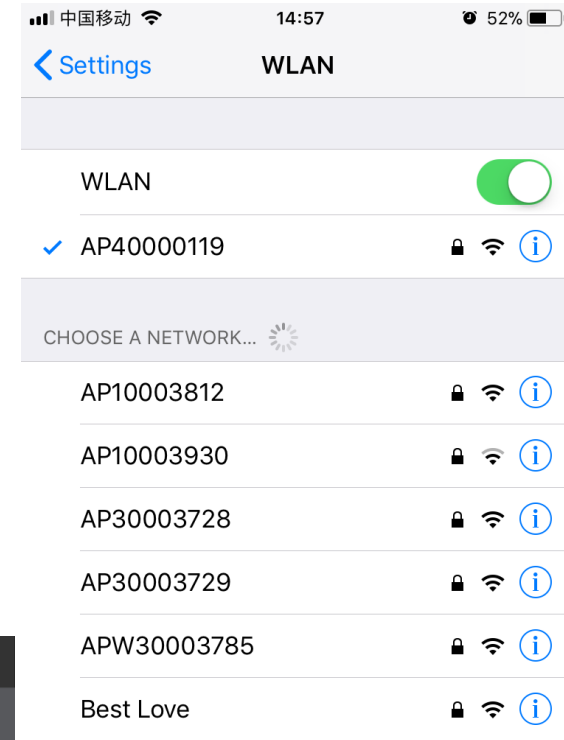


fig 7.12



fig 7.13

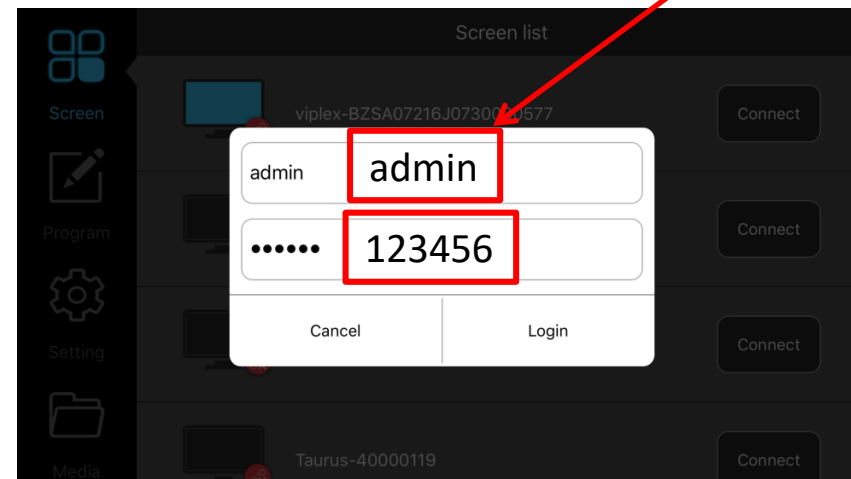
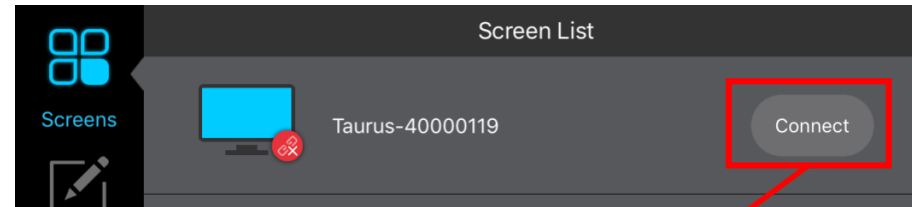


fig 7.14

7.2 Publish via Phone APP

3) Creation of a new playlist

- Click [Solutions] to add solution to create a new playlist, please refer to fig 7.15.
- Name the new playlist in [Solution Name]
- Type in the resolution in [Solution resolution]
- Select one template for CRIUS in [System template], please refer to fig7.16.
- Click [OK] to edit the playlist.

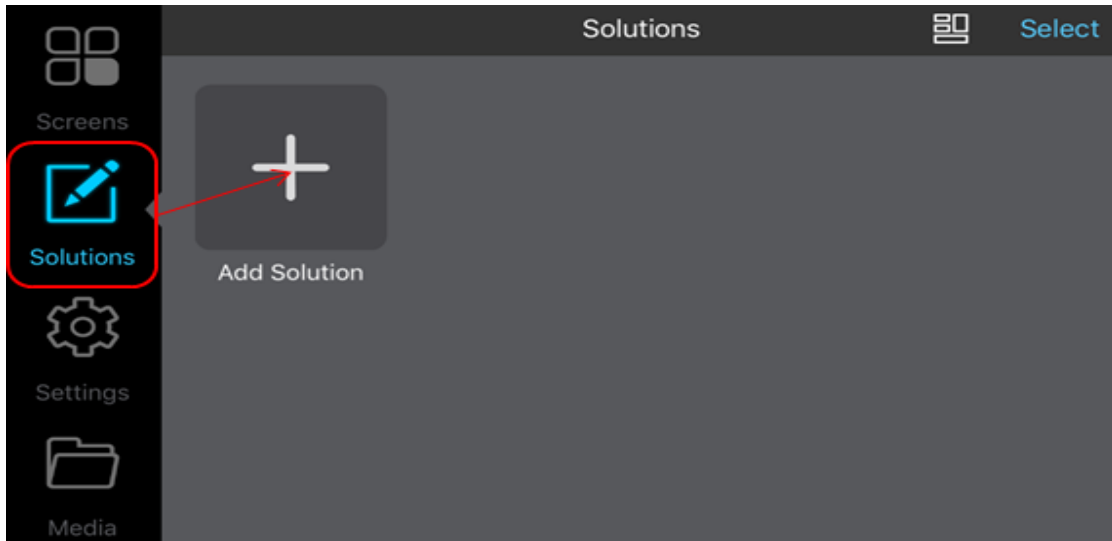


fig 7.15

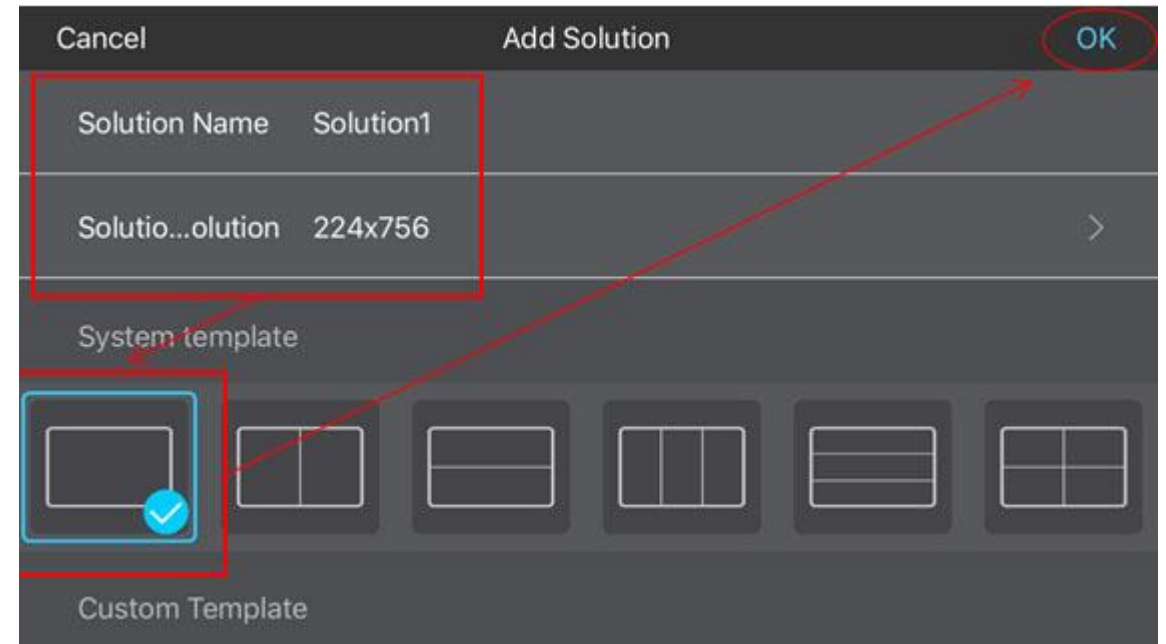


fig 7.16

7.2 Publish via Phone APP

3) Creation of a new playlist

f. Left-click the display window and select the format of content in [Add Solution].

g. Open [Media Library], choose the content and click [ok], please refer to fig 7.17 and fig 7.18.

h. Return to the display window, click  to publish the content, please refer to fig 7.19.

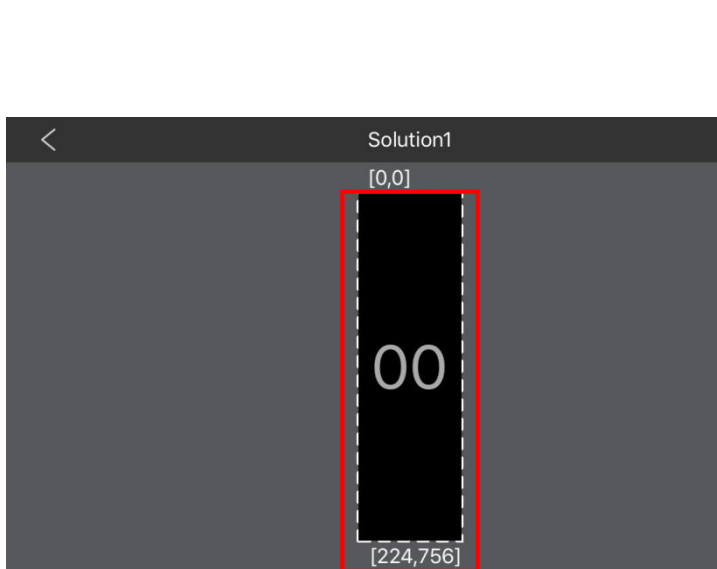


fig 7.17

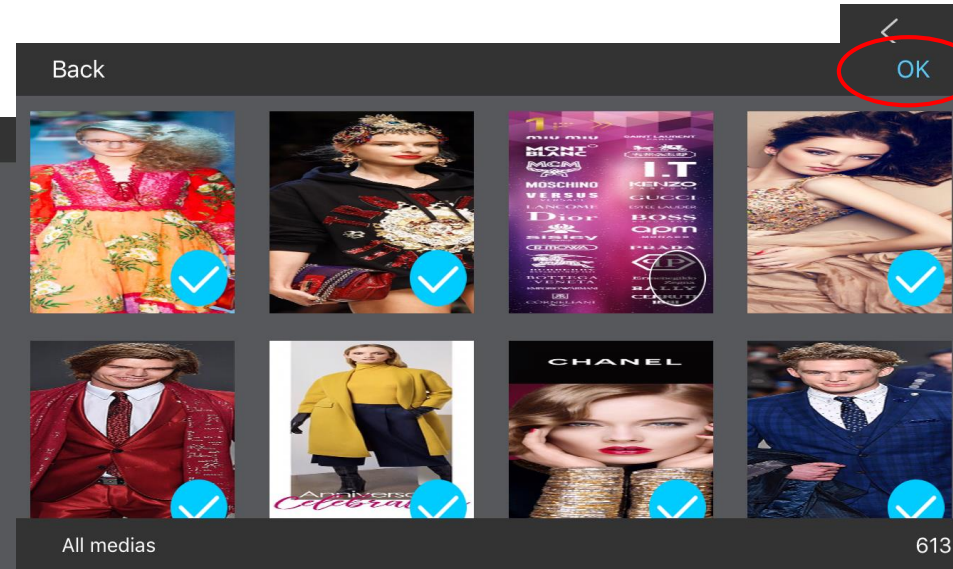


fig 7.18

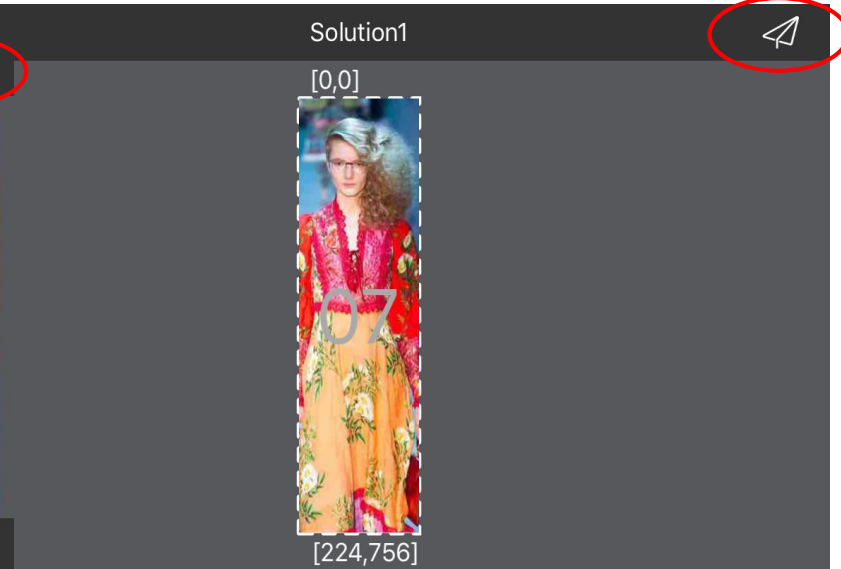



fig 7.19

7.3 Publish via USB

1) Refer to Part 7.1 to create a new playlist in PC.

2) Export the playlist to USB

a. Plug the USB to PC, click [Product Management], select the right playlist, click  to export content to USB, please refer to fig 7.20.

b. Choose the save path and folder in USB, click [Ok]→ [Export], please refer to fig 7.21.

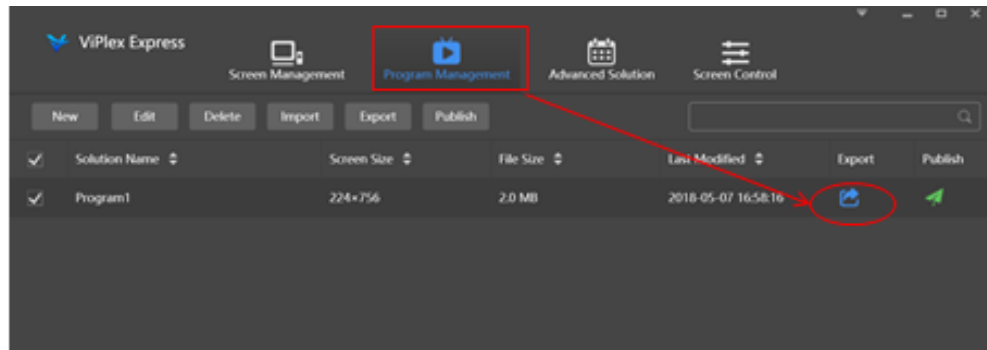


fig 7.20

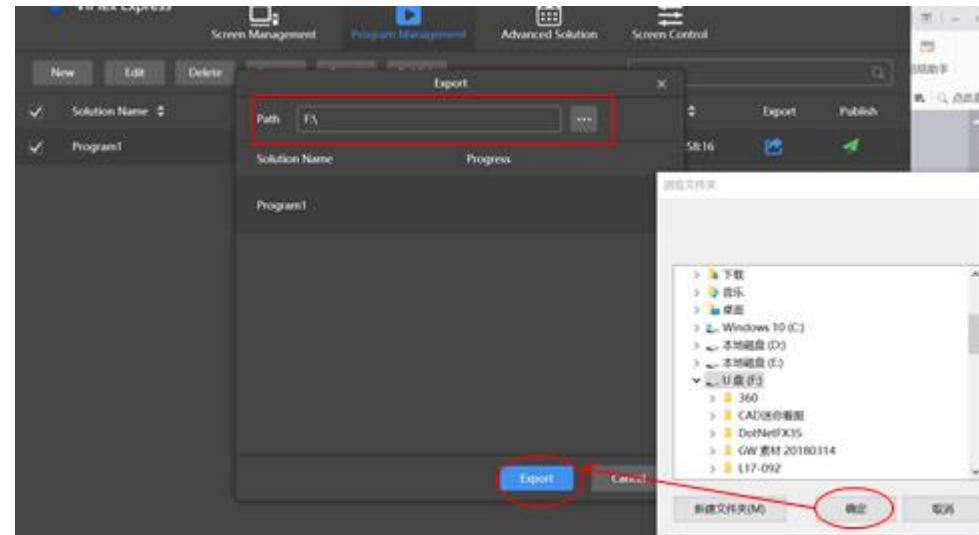


fig 7.21

7.3 Publish via USB

2) Export the playlist to USB

c. Click [Next] when finish transfer.

d. Select [Plug and play] or [Copy and play] in [Play Mode], if select [Copy and play], please choose [overwrite them], then [Ok] to finish, please refer to fig 7.22.

Note: [Plug and play] means plug USB to play, remove USB to stop.

[Copy and play] means plug USB to copy the playlist to CRIUS, and the playlist will loop play with or without USB in.

In this way, you can upload the playlist to many CRIUS.

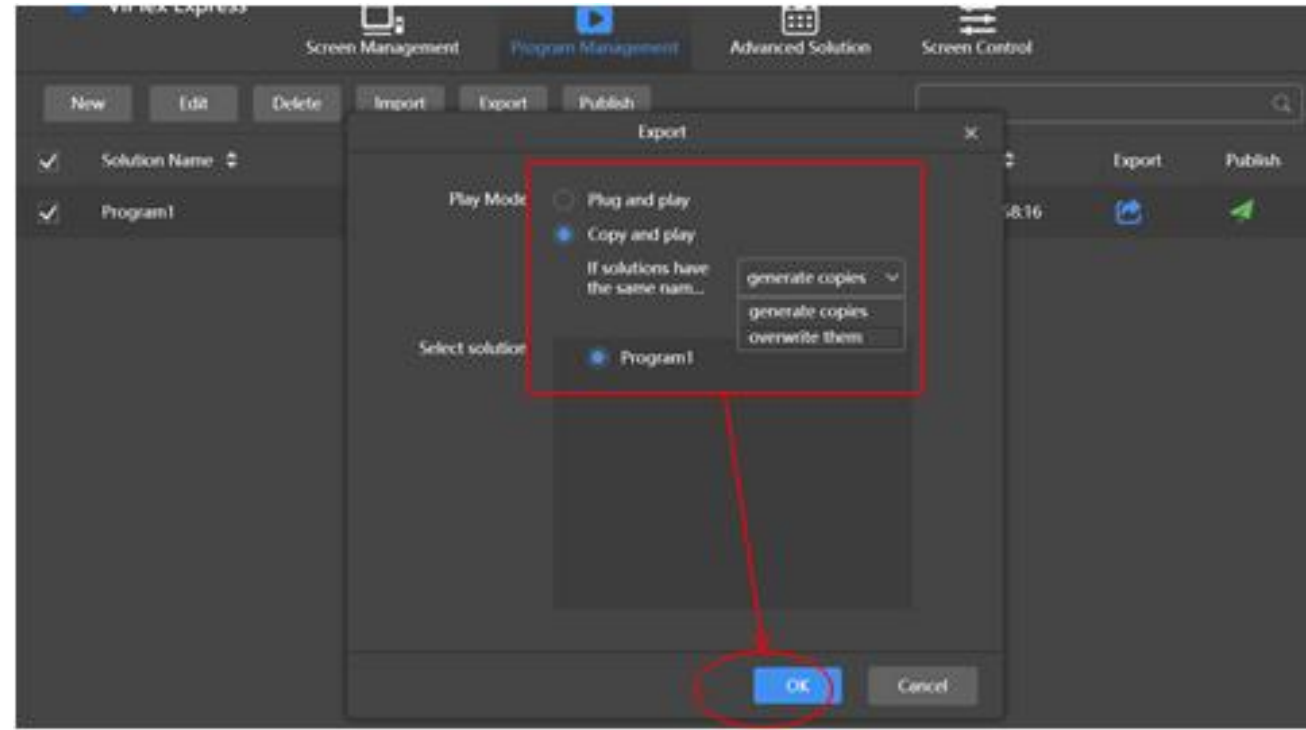
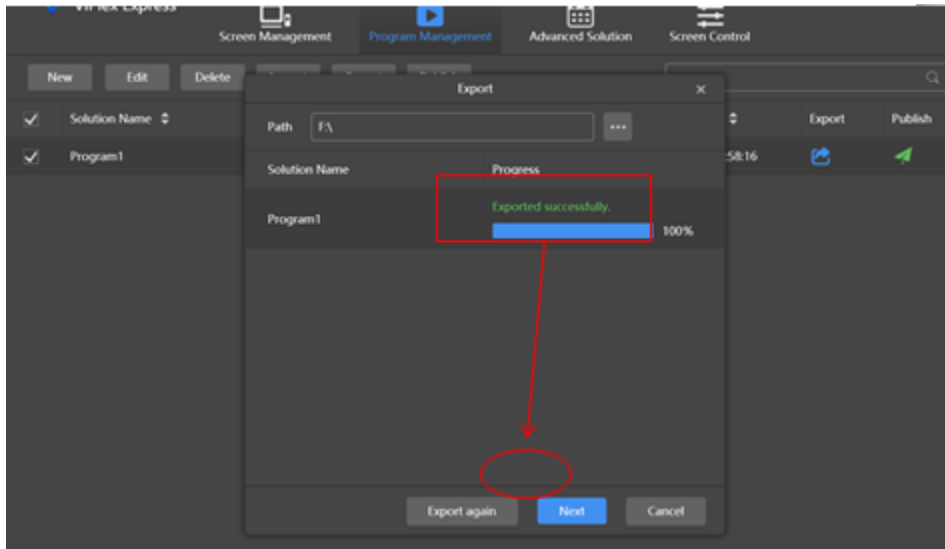


fig 7.22

7.3 Publish via USB

2) Export the playlist to USB

e. Enter identification page, please type in the log in password again and click [Ok], then export the playlist to USB successfully.

Please refer to fig 7.23.

Note: This step is required for exporting playlist.

f. Plug the USB into CRIUS, the playlist will be uploaded automatically after 3s, then loop playback.

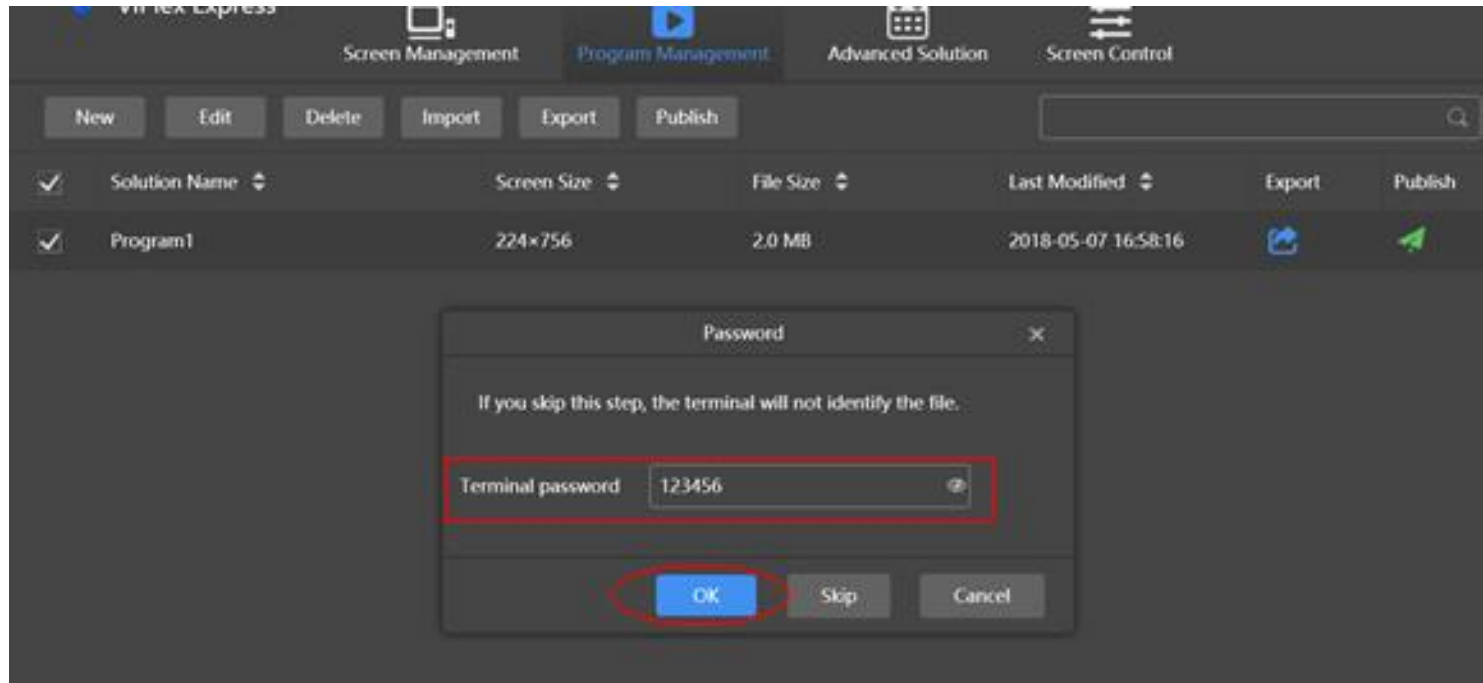


fig 7.23



DISPLAYS2GO

Address:

81 Commerce Drive

Fall River, MA 02720 USA

If you have any questions regarding our products or warranty information, please visit us at www.displays2go.com or contact D2G customer service 844-221-3388.